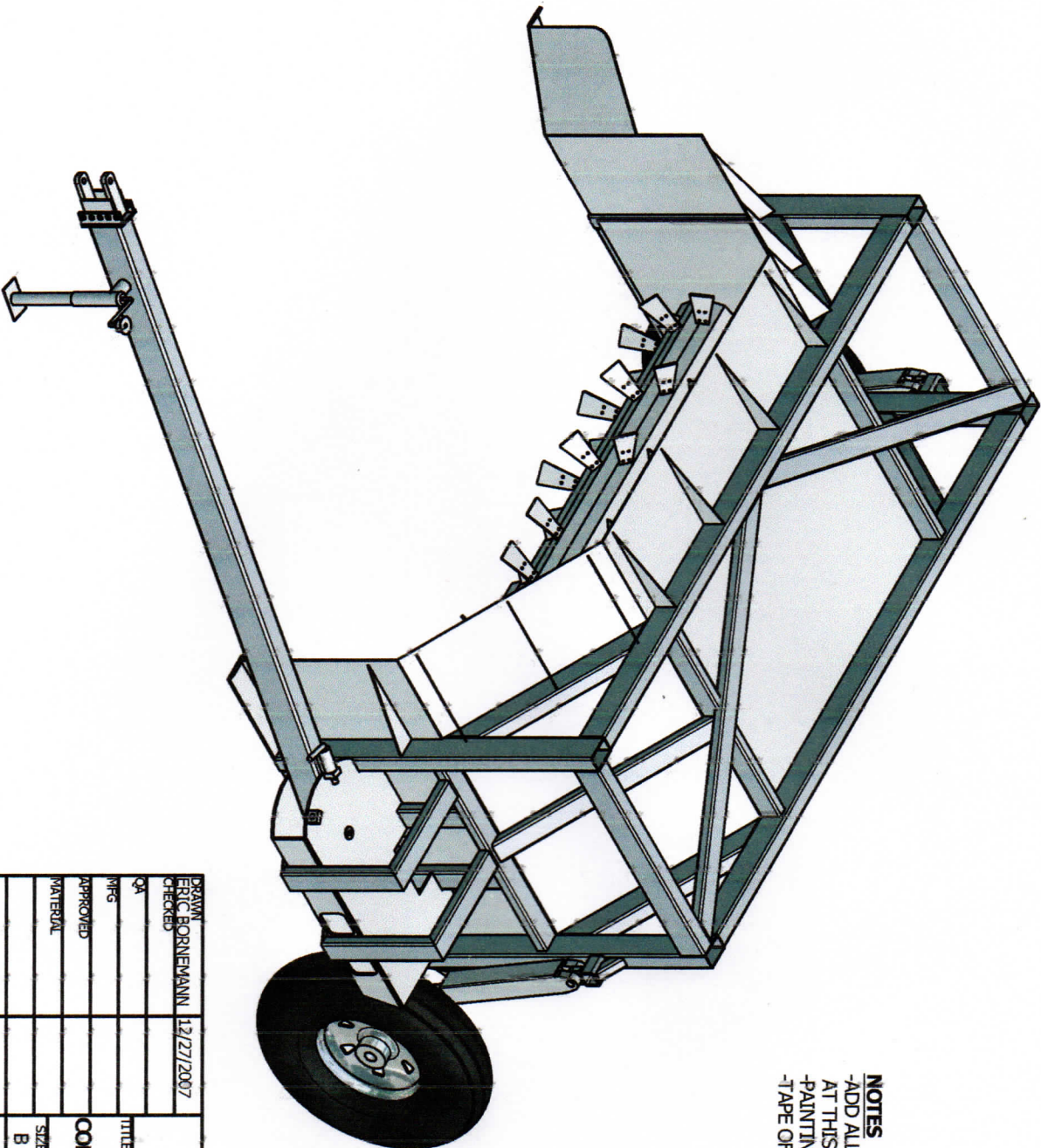


NOTES
 -ADD ALL OTHER PARTS OR EXTRAS TO ASSEMBLY AT THIS POINT
 -PAINTING THE TURNER IS RECOMMENDED
 -TAPE OFF OR REMOVE HYDRAULICS BEFORE PAINTING



DESIGN	ERIC BORNEMANN	12/27/2007	HIGHFIELDS INSTITUTE	
CHECKED				
QA			TITLE	
MFG			COMPLETED TURNER	
APPROVED			SIZE	DWG NO
MATERIAL			B	FINAL MODEL
				REV

4 3 2 1

A A

B B

