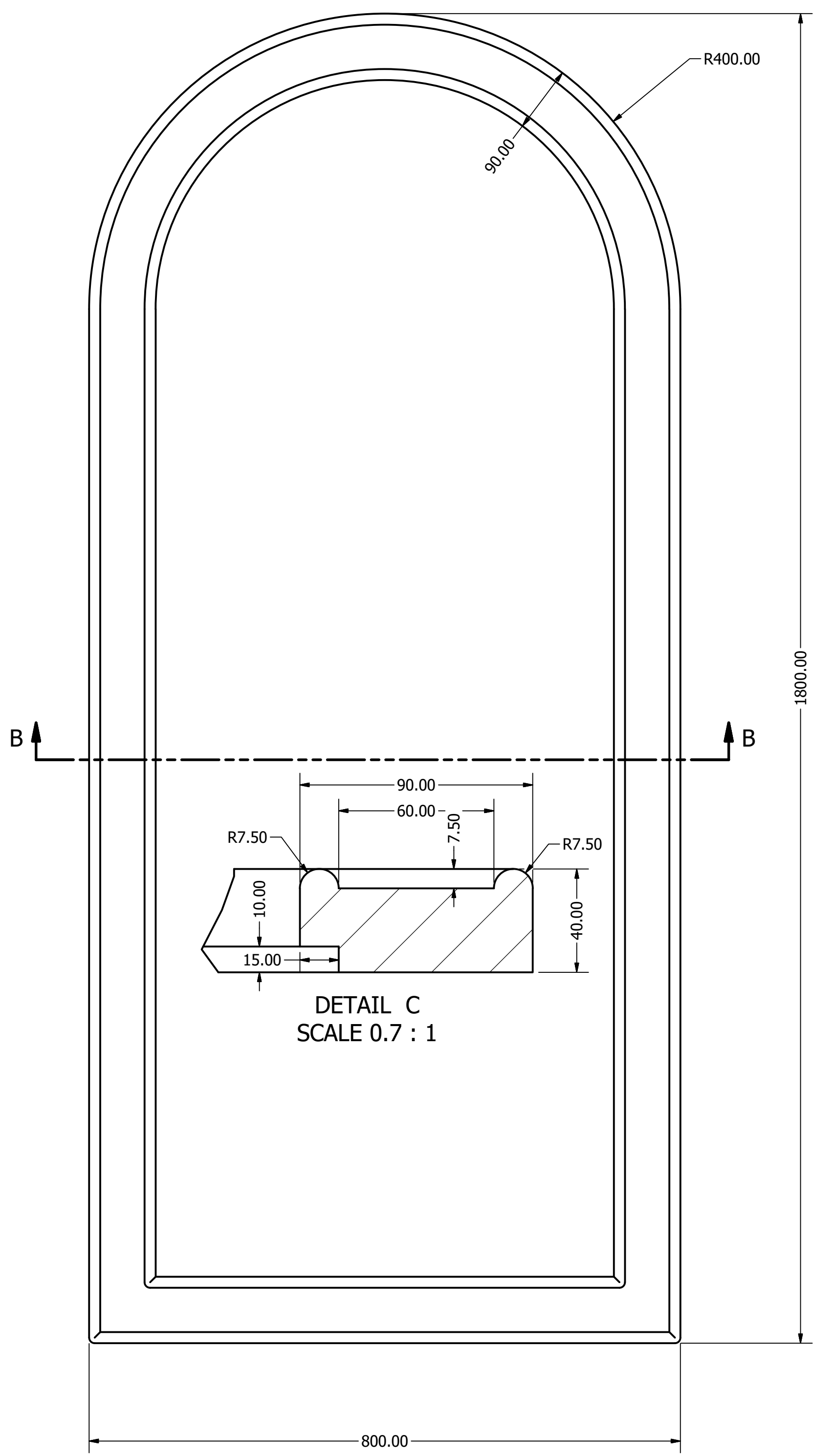
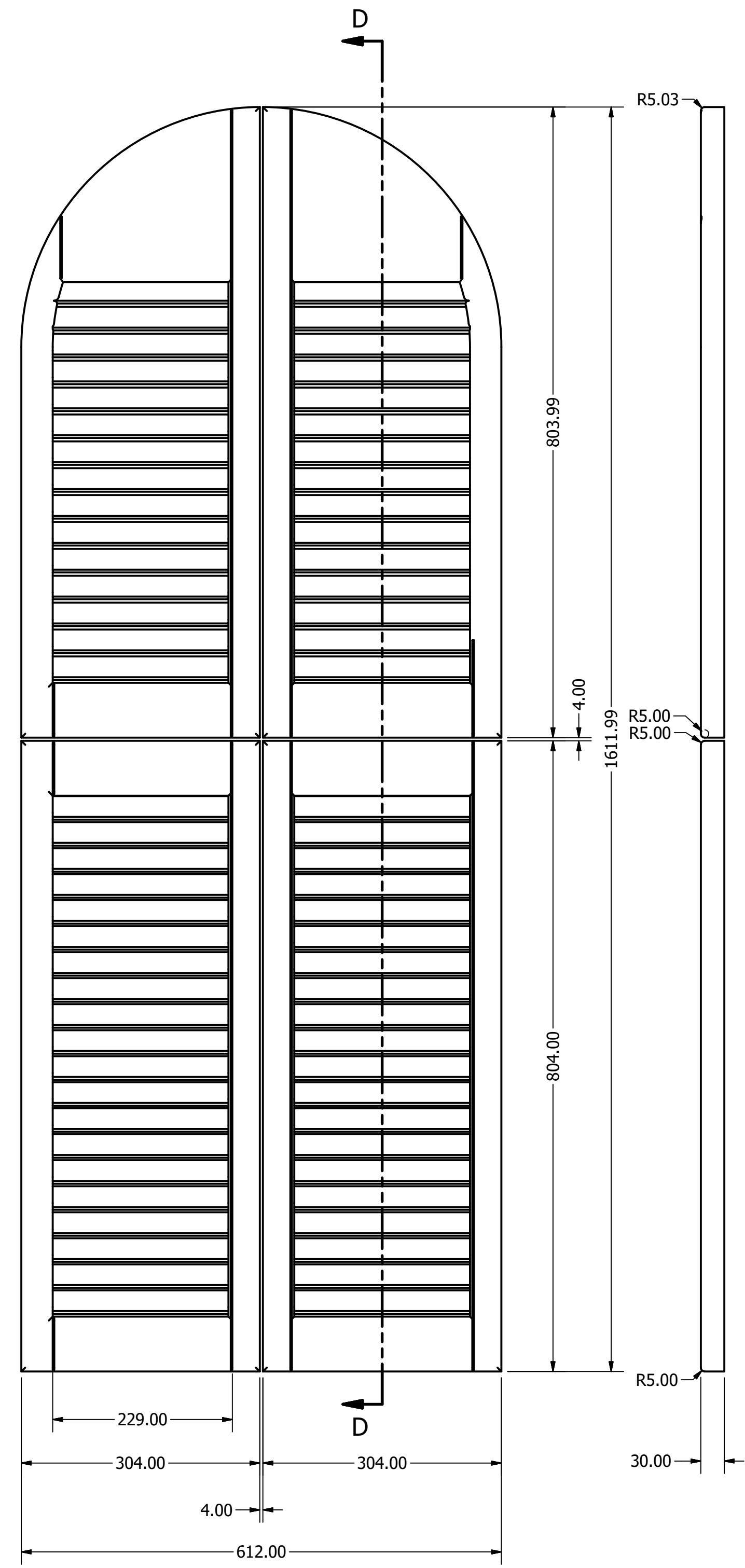


SECTION A-A
SCALE 0,20 : 1



DETAIL C
SCALE 0.7 : 1

SECTION B-B
SCALE 0,20 : 1



SECTION D-D
SCALE 0,20 : 1

DRAWN	1	16.08.2016			
CHECKED			TITLE		
QA					
MFG					
APPROVED					
			SIZE	DWG NO	REV
			D		
			SCALE 0,20 : 1	SHEET 1 OF 1	